



**Shooting Federation of Canada
Federation de tir du Canada**

45 Shirley Blvd
Nepean, Ontario, K2W 2W6
Tel: 613/727-7483
Fax: 613/727-7487
Email: SFC@ncf.ca

Sporting Rifle Rules

and

Hunting Rifle Rules

Edition Revised August 1, 2005

GENERAL

The purpose of this rule book is to be the official rule book governing the conduct of all Shooting Federation of Canada Sporting Rifle and Hunting Rifle sanctioned competitions in Canada. It shall be the competitor's responsibility to ensure that their equipment and positions conform to the rules. It is recommended that if for safety reasons a range has any special rules that they be posted well in advance of a competition.

DEFINITIONS

CATEGORY - a grouping of competitors within a competition, by age or by sex.

CLASS- Master, Expert, Sharpshooter, Marksman. A grouping of competitors within an event by shooting ability.

CLASSIFICATION - the process used to determine in which class a shooter will compete.

COMPETITION - several events held together under the direction of one organization.

COMPETITION ORGANIZER - the person, or group of persons responsible for the function of a competition. It may be a committee, club, Provincial body, or National body.

COMPETITION PROGRAM - the documentation sent out to prospective competitors, detailing the location, dates, times, and other information pertinent to the competition. It should contain information on any special conditions, and the entry form.

CROSSFIRE - A shot or shots fired by one competitor onto another competitor's target.

DIAGRAM - the round, black, aiming mark, including scoring rings. Sometimes referred to as "bullseye".

DISCIPLINE - Sporting Rifle Prone, Sporting Rifle Three-Position, Hunting Rifle.

There may be more than one event of a particular discipline within a competition.

EVENT - usually 40, 60, or 120 scoring shots fired under conditions specified in the rules.

JURY - a group of 3, 5 or 7 persons who rule on disputes, judge protests, and interpret the rules at a competition.

MATCH COMMITTEE - see jury.

SERIES - scoring is most conveniently done in series of 10 shots. Shooting is most conveniently done in series 10 shots. Other arrangements of shooting series or scoring series may be determined by the competition organizer.

SCORING DIAGRAM - a diagram or bullseye on the target where the shoots for record are fired.

SIGHTING DIAGRAM - a diagram or bullseye on the target card where shots are fired to verify sight alignment. The values of these shots do not count in the competitor's score.

SFC - Shooting Federation of Canada. The governing body for shooting competition in Canada.

TARGET - refers to a target with only one diagram.

TARGET CARD - a target having more than one diagram, with sighting diagrams located in an area separate from the scoring diagrams.

2.0 SAFETY

- 2.1 The safety of a shooting range depends to a large extent on local conditions and additional safety rules may be established by the Organizing Committee. The Organizing Committee must know the principles of range safety and take the necessary steps to apply them. The Organizing Committee bears the responsibility for safety. Team officials and shooters must be advised of any special local regulations.
- 2.2 The safety of shooters, range personnel and spectators requires continued and careful attention to the handling of rifles and caution in moving about the range. Self-discipline is necessary on the part of all. Where such self-discipline is lacking, it is the duty of range officials to enforce discipline and the duty of shooters and team officials to assist in such enforcement.
- 2.3 In the interest of safety, a Jury Member or a range official may stop the shooting at any time. Shooters and team officials must notify immediately range officers or Jury Members of any situation that may be dangerous or which may cause an accident. A shooter may stop the shooting by calling “cease-fire” if a situation arises on the range that requires an immediate stoppage of shooting.
- 2.4 An Equipment Inspector, Range Officer, or Jury Member may pick up shooter’s equipment (including a rifle) for control WITHOUT his permission, but in his presence and with his knowledge. However, immediate action must be taken when a matter of safety is involved.
- 2.5 To ensure safety, all rifles must be handled with maximum care at all times. The rifle must not be removed from the firing line during the course of fire except with the permission of range officials.
- 2.5.1 While the shooter is on the firing point, the rifle must always be pointed in a safe direction. For sporting rifle even if the rifle has a magazine, only one cartridge may be loaded. When not actually firing, all rifles must be unloaded and the bolt or action must be open. The action or breach must not be closed until the rifle is pointing down range in a safe direction.
- 2.5.2 Before the shooter leaves the firing point, the shooter must ascertain that the action is open and there are no cartridges in the chamber or magazine.
- 2.5.3 Dry firing and aiming exercises are permitted, but only with the permission of the Range Officer and only on the firing line or in a designated area. Handling of rifles is not permitted when anyone is forward of the firing line.
- 2.5.4 **Dry Firing**
Means the release of the cocked trigger mechanism of an unloaded cartridge rifle.
- 2.5.5 Rifles may be loaded only on the firing point and only after the command or signal “**START**” is given. At all other times, the rifles must be kept unloaded. If a shooter fires a shot before the command “**START**”, or after the command “**STOP**” has been

given he may be disqualified. During the competition the rifle may be laid down only after the cartridge(s) are removed and the action is open.

2.6 When the command or signal to “**STOP**” is given, shooting must stop immediately, and the shooters must unload their rifles, and make them safe. Shooting may only be resumed when the appropriate command or signal to “**START**” is given again.

2.7 The Chief Range Officer, or other appropriate range officials, is responsible for giving the commands, “**START**”, “**STOP**”, and other necessary commands. The Range Officers must also ensure that the commands are obeyed and that rifles are handled safely.

2.8 **Ear Protection**

All shooters and other persons in the immediate vicinity of the firing line are urged to wear ear plugs, ear muffs, or similar ear protection. Ear protectors incorporating any type of receiving devices are not permitted for shooters.

2.9 **Eye Protection**

All shooters are urged to wear shatterproof shooting glasses or similar eye protection while shooting.

3.0 RANGE & TARGET STANDARDS

3.1.1 **Target Paper** must be of a non-reflecting color and material so that the black aiming area (center) is clearly visible under normal light conditions at the appropriate distances. The target paper and scoring rings must retain dimensional accuracy under all weather and climatic conditions. The target paper must register shot holes without excessive tearing or distortion.

3.1.2 **The dimensions** of all scoring rings are measured from the outside edges (outside diameter) of the scoring rings.

3.1.3 Targets are divided into **scoring zones by scoring rings**. Shots striking in a scoring zone receive the number of points designated for that scoring zone. Any shot which strikes or touches the outer edge of a scoring ring receives the score value of that zone.

3.2.1 **50 METRE RIFLE TARGET**

The SFC target measures approximately 16” wide by 26” high and has six diagrams on the target card. The top pair of diagrams are for sighting shots and are separated from the remaining four scoring diagrams by a horizontal black line.

3.2.2 **20 YARD RIFLE TARGET**

The SFC target measures approximately 14 1/2” wide by 12” high and has 12 diagrams on the target card arranged in horizontal rows of four diagrams. The central pair of diagrams are for sighting shots and are separated from the remaining ten scoring diagrams by a rectangular black line box, approximately 7” wide by 2 3/4” high.

3.3

VALUE OF SHOTS

For the SFC targets. A standard 5.6mm dia. (.22cal.) plug gauge is used for scoring this target. If the gauge touches the line, the higher value is given. Shots inside or touching the “X” ring are scored and recorded in Sporting Rifle events.

Sporting Rifle Targets

	50 metre	20 yard
Stock number	# 153	# 135
Paper width	420 mm	387 mm
Paper Height	660 mm	305 mm
X Ring	20 mm	3.7 mm
10 Ring	40 mm	11 mm
9 Ring	80 mm	25.6 mm
Aiming Mark	120 mm	40.2 mm
8 Ring	120 mm	40.2 mm
7 Ring	160 mm	54.8 mm
6 Ring	200 mm	69.4 mm

Table 2 Specifications for Rifles

Measurements for Dimensions C,D,E,F & J are from centerline of barrel

All Dimensions are Maximum except trigger weight which is minimum

A	Length of fore sight tunnel -----	50 mm
B	Diameter of foresight tunnel -----	25 mm
C	Distance from center of front sight ring or top of post, to center of bore either Directly above, or offset. Except for shooters firing from one shoulder and aiming with the opposite eye.)	40 mm
D1	Depth of front of forend -----	70 mm
D2	Depth of forend in front of trigger guard -----	90 mm
E	Lowest point of Pistol grip -----	140 mm
F	Lowest point of stock, or toe of butt plate -----	190 mm
G	Depth of curve of butt plate -----	20 mm
H	Heel to Toe length of butt plate -----	153 mm
H1	Offset of butt plate from center line turn or turn of butt plate from centerline -- When viewed from above.	None
I	Total thickness (Breadth) of forend -----	60 mm
J	Width of cheekpiece from centerline of barrel -----	40 mm
K	Movement of butt plate, upward or downward from the neutral position -----	+/-30 mm
L	Minimum trigger weight -----	1000 g
M	Maximum weight of rifle complete as fired -----	4 kg
N	Front sight extension beyond the apparent muzzle of the rifle -----	20 mm

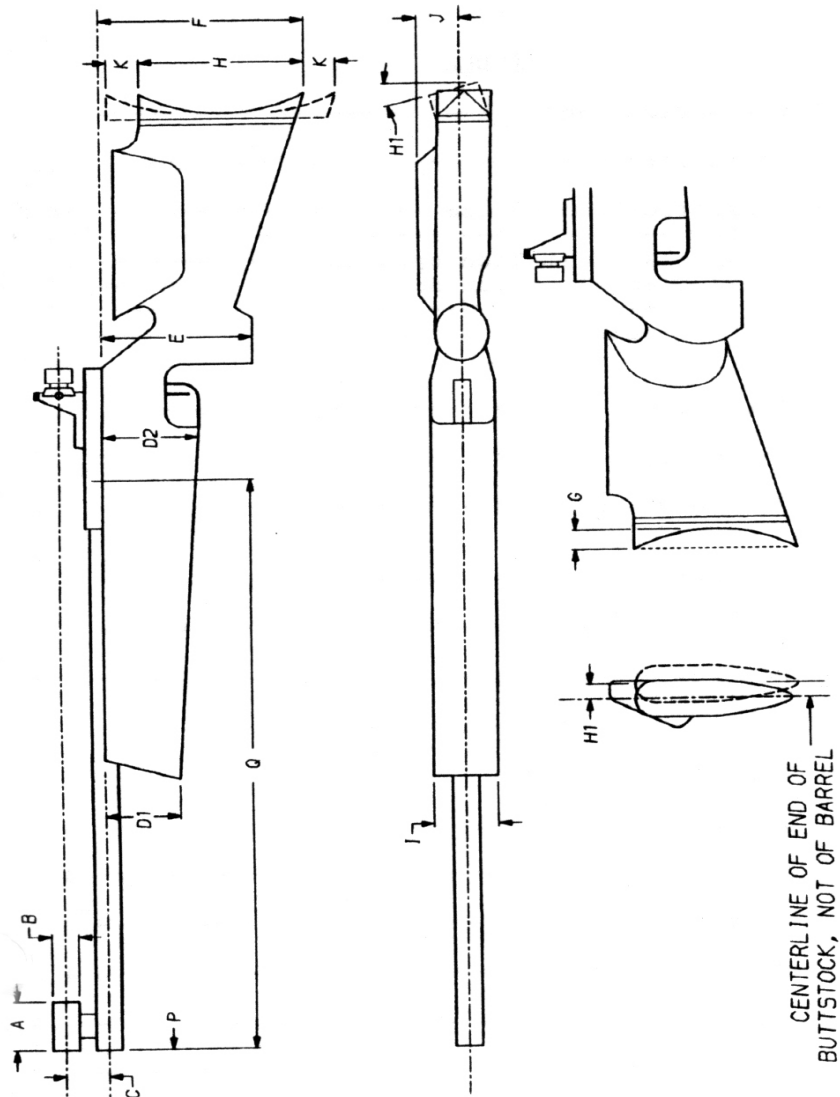


Figure 7: Specifications of Sporting rifle.

3.5.0 RANGE STANDARDS

- 3.5.1 Ranges must have a **line of targets** and a **firing line**. The firing line must be parallel to the line of targets. The **firing points** are located behind the firing line.
- 3.5.2 Ranges may be surrounded by walls, if necessary, for safety reasons. Protection against the accidental exit of un-aimed shots may also be provided by transverse baffle systems between the firing line and the line of targets.

- 3.5.3 Protection against rain, sun and wind must be provided. This protection shall be such that no obvious advantage is given to any firing point or part of the range.
- 3.5.4 **Competition Area**
- 3.5.5 **Smoking** on the range and in the spectator area is prohibited.
- 3.5.6 There must be sufficient space behind the firing points for the range officials and the Jury to perform their duties.
- 3.5.8 The use of **mobile telephones, walkie-talkies, pagers** or similar devices by competitors, coaches and team officials while within the competition area is prohibited. All mobile telephones etc must be switched **OFF**.
- 3.5.9 If possible each range should be equipped with a large clock at each end of the hall that can be seen clearly by shooters and officials.
- 3.5.10 Target frames or mechanisms must be marked with numbers corresponding to their firing point number. The numbers must be large enough to be seen easily under normal shooting conditions with normal vision at the appropriate distance. The numbers must be of alternating and contrasting colors and be clearly visible throughout the competition, whether the targets are exposed or concealed.
- 3.5.11 Targets must be fixed in such a manner that they have no significant movement even in high winds.
- 3.5.12 Any target system may be used, provided it guarantees the necessary degree of safety, accurate control of timing, and efficient, accurate and rapid scoring and changing of the targets.
- 3.6.0 Wind Flags for 50 m Rifle Ranges**
- 3.6.1 Rectangular wind flags, much like ribbons which indicate air movements on the range should be made of a cotton material weighing approximately 150 g/m². They must be placed as close to the bullets flight path as possible without interfering with the bullets or the shooter's view of the target during aiming. The color of the wind flags must be in contrast to the background. Dual color or striped wind flags are permitted and recommended.
- 3.6.2 Private wind indicators are prohibited.
- 3.6.3 On 50 m ranges wind flags measuring 50 mm x 400 mm are to be placed at distances of 10 m and 30 m from the firing line, on every second imaginary line separating each firing point and its corresponding target from the adjacent points and targets. Flags must be placed on the shooter's side of any safety baffles.
- 3.7.0 Shooting Distances**
- 3.7.1 Shooting distances must be measured from the firing line to the target face. Shooting distances must be as exact as possible, subject to the following allowable variations.
- | | |
|-------------|------------|
| 50 m range | +/- 0.20 m |
| 20 yd range | +/- 0.10 m |

- 3.7.2 The firing line must be clearly marked. No part of the shooter's body may contact the floor or ground ahead of the edge of the firing line nearest to the shooter.
- 3.7.3 Height of Target Centre (Centre of the Ten Ring)
- 3.7.4 The centre of the target must be within the following heights when measured from the level of the floor of the firing point.

	Standard Height	Variation Allowable
50 m ranges	0.75 m	+/- 0.50 m

All target centers within a group of targets or range must have the same height (± 10 cm)

3.7.5 Horizontal Variations for Target Centers on 50 m Rifle Range

- 3.7.6 Target centres at 50 m must be oriented on the centre of the corresponding firing point. Horizontal deviations from a centre line drawn perpendicular (90 degrees) to the centre of the firing point is 0.75 m maximum variation from centre in either direction. The distance between target centres must correspond to the width of the firing points (± 10 cm).

3.8 General Firing Point Standards for 50 m Ranges

- 3.8.1 The firing point must be constructed so that it does not vibrate or move when other persons are walking close by. From the firing line to approximately 2.2 m rearward., the firing point must either be level or may slope to the rear with a few centimeters drop.
- 3.8.2 The firing point must be equipped as follows:
 - 3.8.2.1 If the firing point is exposed to excessive wind, additional protection for the shooters must be provided by screens, rows of trees or other means.
 - 3.8.2.2 When it is necessary to install dividing screens on the firing line they must be made of transparent material on a light frame. Screens should extend at least 50 cm forward of the firing line, and be no less than 1.5 m long x 2.0 m high. They are to be located between every two firing points, at the minimum.

3.9 SCORING PROCEDURES

- 3.9.1 The scoring office must publish preliminary scores on the Main Scoreboard as soon as possible after each relay and stage or completion of each event.
- 3.9.2 These lists must contain the full family name, full first name (without abbreviations), and start numbers.
- 3.9.3 Scores must be reported to the SFC office within 14 days of a competition completion date, and within 14 days of a registered league schedule competition. Each competitor must be correctly identified, the class in which they competed, and their scores fired, must be entered on the competition report. The proper amount of registration fees, covering all entrants in the competition, and a copy of the official results bulletin must be forwarded with the report. Proper attention to these matters by competition organizers will ensure that each participant's records are kept accurately up to date, and that classification cards are promptly issued as they are earned.

- 3.9.4 The competition report forms, and the competition registration number must be obtained beforehand from the SFC office by the competition organizer.
- 3.9.5 The Organizing Committee must establish an office for scoring and controlling targets during competitions and for recording and producing results lists after competitions.
- 3.9.6 The **Scoring Jury** must supervise the scoring and all work done in the Scoring office. It directs how any questionable shots shall be scored, determines their value, and resolves any questions or scoring protests.
- 3.9.7 Each official must certify his or her work by initialing the target, score card or results list.

3.10.0 Value of the Shots:

All bullet holes are scored according to the highest value of the target scoring zone or ring that is touched by that bullet hole. If any part of a scoring ring (demarcation line between the scoring zones) is touched by the bullet, the shot must be scored the higher value of the two scoring zones. Such a hit is determined by whether the bullet hole or a plug gauge inserted in the hole touches any part of the outside edge of the scoring ring.

- 3.10.1 Shots in dispute must be determined as to value by means of a gauge or other device which has been approved by the SFC for accuracy. Gauges must always be inserted into the shot hole with the target in the horizontal position.
- 3.10.2 If two scoring officials do not agree on the value of a shot, a decision from the Jury must be requested immediately.
- 3.10.3 The plug gauge may be inserted only once in any bullet hole. For this reason the use of a gauge must be marked on the target by the scoring officials, together with their initials.
- 3.10.4 Hits outside the scoring rings of the shooter's own target are scored as misses, except in the case of a crossfire (see 6.6.0 – 6.6.10.1 crossfires)
- 3.10.5 Decisions by the **Scoring Jury** on value or number of shots on a target are final and may not be appealed.

4.0 RIFLE STANDARDS

4.1 Pistol Grips

The pistol grip for the right hand must not be constructed in such a way that it rests on the left arm.

- 4.1.2 **Barrels** and extension tubes must not be perforated in any way. Any construction or device inside the barrel or tubes, other than rifling and chambering for the 3 cartridge is prohibited.

- 4.1.3 The use of **compensators** and **muzzle brakes** on rifles are prohibited.

4.2 Sights

- 4.2.1 Metallic sights are permitted. Telescopic sights and levels are not permitted.

4.2.2 A correcting lens or variable diopter eyepiece may be attached to the rear sight of the rifle, but may not be used in conjunction with another lens or lenses, such as eyeglasses, contact lenses, or a front sight lens. An eye shield may be attached to the sight or receiver if it is done in such a manner as not to provide artificial support.

Exception;

4.2.3 An additional lens is permitted in the front sight for competitors in “Veteran” category events.

4.3 **Additional Regulations:**

4.3.1 Rifle weight must not exceed 4kg complete as fired.

4.3.2 The trigger must lift and hold a weight of 1000g, at least 1cm above the surface on which the weight was placed, with the rifle cocked, and the safety catch in the firing position, and with the rifle held in a vertical position. The weight must be suspended from the mid-point of the trigger. Triggers may be weighed with the official test weight at the discretion of the Range Officer or Match Committee. Failure of the trigger to meet the trigger pull requirements after the competitor has commenced his match shall disqualify the competitor in matches previously fired in the current competition.

4.3.4 Thumbhole stocks are permitted for Sporting Rifle competitions.

4.3.5 Any additions or extensions to the stock of the rifle must be fixed solidly in place and not be moved or removed from the rifle for the duration of the event. Any such additions must be included in the overall weight limit and dimensions.

4.3.6 All Sporting Rifle stocks, including any modifications must conform to the Sporting Rifle dimensions in Figure 7, and Table 2.

4.3.7 The use of a sling or hand-stop is prohibited in Sporting Rifle competitions.

4.3.8 Barrel weights must surround the barrel evenly, and be non—adjustable.

4.3.9 A conventional bipod is allowed.

4.4 **CLOTHING REGULATIONS**

The use of any special devices, means or garments which immobilize or unduly reduce the movement of the shooter’s legs, body or arms is prohibited in order to assure that the performance skills of the shooters are not artificially improved by special clothing.

4.4.1 All shooting jackets, trousers and gloves must be made of flexible material that does not materially change its physical characteristics, that is, become stiffer, thicker or harder, under commonly accepted shooting conditions. All lining, padding and reinforcements must meet the same specifications. Any lining or padding must not be quilted, cross-stitched, glued or otherwise affixed to the outer clothing layer other than at normal tailoring points. All lining or padding must be measured as part of the clothing.

- 4.4.2 Only one shooting jacket, only one pair of shooting trousers and only one pair of shooting shoes may be approved by Equipment Control for each shooter for all rifle events. This does not prevent the shooter using ordinary trousers or normal athletic type training shoes in any event or position. A jacket must be capable of being used in all three positions (prone, standing and kneeling) and must meet all other specifications in order to be approved for the competition. Any item of clothing which fails to pass the Equipment Control three (3) times may not be resubmitted and must be indelibly marked.
- 4.4.3 When measurements are taken of garment thickness linings and padding are measured as part of the thickness. Measurements are to be taken no closer than 3 cms from folds or seams. The device used shall be capable of measuring to one tenth of a millimeter. Measurements will be taken with a 5 kilogram weight applied. The gauge shall have two round flat surfaces which will contact opposite sides of the clothing.
- 4.4.1.0 **Shooting Jacket**
- The body and sleeves of the jacket, including the lining, must not exceed 2.5 mm in single thickness and 5 mm in double thickness at any point where flat surfaces may be measured. The jacket must not be longer than the bottom of the balled fists.
- 4.4.1.1 Closure of the jacket must be only by non-adjustable means e.g. buttons or zippers. The jacket must not overlap more than 100 mm at the closure. The jacket must hang loosely on the wearer. To determine this, the jacket must be capable of being overlapped beyond the normal closure by at least 70 mm. Measured from the center of the button to the outside edge of the button hole. The measurement will be taken with the arms at the sides.
- 4.4.1.2 All straps, laces, bindings, seams, stitching or devices, which may be construed as artificial support, are prohibited. However it is permitted to have one zipper or not more than two straps to take up loose material in the area of the shoulder pad. No other zippers or other closing or tightening device is permitted.
- 4.4.1.3 The construction of the back panel may include more than one piece of material including a band or strip provided that this construction does not stiffen or reduce the flexibility of the jacket. All parts of the back panel must comply with the thickness limit of 2.5 mm when measured over a flat surface.
- 4.4.1.4 An interchangeable back panel to give ventilation is permitted, provided that it is soft, flexible and pliable. The fastenings of this panel must be such that they do not stiffen the jacket or give additional support to the shooter. Each removable back panel must be approved by Equipment Control. All panels for one jacket must be the same width and length.
- 4.4.1.5 In the prone and kneeling positions, the sleeve of the shooting jacket must not extend beyond the wrist of the arm. The sleeve must not be placed between the hand or glove and the forend of the stock when the shooter is in the shooting position.
- 4.4.1.6 No Velcro, sticky substance, liquid, or spray may be applied to the outside or inside of the jacket, pads or equipment. Roughening the material of the jacket is prohibited.

- 4.4.1.7 Shooting jackets may have reinforcement patches added only to their outside surfaces subject to the following limitations.
- 4.4.1.8 Maximum thickness, including jacket material and all linings 10 mm single thickness or 20 mm when measured as a double thickness.
- 4.4.1.9 Reinforcements may be added on both elbows but must not be more than half (1/2) of the circumference of the sleeve. The reinforcement on the opposite arm may have a maximum length of 300 mm.
- 4.4.1.10 Reinforcement on the shoulder where the butt plate rests must not be longer than 300 mm in the longest dimension.
- 4.4.1.11 All inside pockets are prohibited. Only one (1) external pocket is permitted, located on the right front side (left front side for left hand shooters) of the jackets.
- 4.4.1.12 The maximum size of the pocket is 250 mm high from the lower edge of the jacket and 200 mm wide.

4.4.2.0 **Shooting Trousers**

The trousers including the lining , must not exceed 2.5 mm in single thickness and 5 mm in double thickness at any point where flat surfaces may be measured. The top of the trousers must not fit or be worn higher on the body than 50 mm above the crest of the hip bone. All drawstrings, zippers or fasteners to tighten the trousers around the legs or hips are prohibited. To support the trousers only a normal waist belt not more than 40 mm wide and 3 mm thick or braces (suspenders) may be worn. If a belt is worn in the standing position, the buckle or fastening must not be used to support the left arm or elbow. If the trousers have a waist band, it may not be more than 70 mm wide and may be closed by one hook and up to five (5) eyes, or up to five (5) adjustable snap fasteners, or similar closure or Velcro. Only one type of closure is permitted. A Velcro closure combined with any other closure is prohibited. The trousers must be loose around the legs. The shooter must be capable of sitting on a chair with the trousers on and with all fasteners or closures in the closed position. If special shooting trousers are not worn, ordinary trousers may be worn providing they do not give artificial support to any part of the body.

- 4.4.2.1 Zippers, buttons, Velcro or similar non-adjustable fasteners or closures, may be used in the trousers only in the following places:
- 4.4.2.2 One type of fastener or closure in the front to open and close the trousers fly. The fly must not be lower than the level of the crotch. Any holes that cannot be closed are permitted.
- 4.4.2.3 Only one other fastener is permitted in each trouser leg. The opening (fastener) must not start closer than 70 mm from the top edge of the trousers. It may, however, extend to the bottom of the trouser leg. One fastener is permitted either in the front of the upper leg or the back of the leg, but not in both places in one leg.
- 4.4.2.4 Reinforcements may be added to the seat and both knees of the trousers. The seat patch must not exceed the width of the hips and the vertical measurement must not be longer than to cover the normal wear points on the seat of the wearer Knee patches may have a maximum length of 300 mm. Knee reinforcements must not be wider than half the circumference of the trousers leg. The thickness of reinforcement

including the trousers material and any linings must not exceed 10 mm in single thickness (20 mm double thickness). All pockets are prohibited.

4.4.3.0

Shoes:

4.4.3.1

Normal street type or light athletic shoes, and shooting shoes not exceeding the following specifications are permitted:

4.4.3.2

The material of the upper part (above the line of the sole) must be of soft, flexible, pliable material, not thicker than 4 mm, including all linings, when measured on any flat surfaces.

4.4.3.3

The sole must be flexible at the ball of the foot.

4.4.3.4

The height of the shoe from the floor to the highest point must not exceed two thirds (2/3) of the length.

(example: if the shoe length is $290 + 10 \text{ mm} = 300 \text{ mm}$, the height must not be more than 200 mm).

4.4.3.5

If a shooter wears shoes, they must be a matched pair externally.

4.4.4.0

Shooting Gloves

4.4.4.1

The total thickness must not exceed 12 mm when measuring front and back materials together at any point other than on seams and joints.

4.4.4.2

The glove must not extend more than 50 mm above the wrist measured from the center of the wrist knuckle. Any strap or other closure device at the wrist is prohibited. However, a portion of the wrist may be elastized to enable the glove to be put on, but it must leave the glove loose around the wrist.

4.4.5.0

Dressing the Shooter

4.4.5.1

Clothing worn under the shooting jacket must not be thicker than 2.5 mm single thickness or 5 mm double thickness. The same applies to all clothing worn under the shooting trousers.

4.4.5.2

Only normal personal undergarments and/or training clothing that does not immobilize or unduly reduce the movement of the shooter's legs, body or arms may be worn under the shooting jacket and/or shooting trousers. Training clothing that may be worn under the shooting trousers does not include ordinary trousers, jeans, etc. Any other undergarments are prohibited.

4.4.5.0

Accessories

4.4.5.1

The shooting kit must not be placed forward of the shooter's forward shoulder on the firing line, except that in the standing position a shooting kit, table or stand may be used as a rifle rest between shots. The shooting kit, table, or stand must not interfere with shooters on adjacent firing points or constitute a windbreak.

4.4.5.2

Spotting Telescopes

4.4.5.3 The use of telescopes not attached to the rifle to locate shots is permitted. No portion of the telescope or its stand may touch any part of the competitor's clothing or person.

4.4.5.4 **Kneeling Roll**

Only one cylindrically shaped roll is allowed for shooting in the kneeling position. The dimensions are a maximum of 25 cm long and 18 cm in diameter. It must be made of soft and flexible material. Binding or other devices to shape the roll are not permitted.

4.4.5.5 **Shooting mat**

Ground clothes or mats may be used providing that they are not constructed nor of such a nature nor are used in a manner as to form artificial support.

4.4.6 **Equipment Control**

4.4.7 Prior to the competition each shooter's rifle and other equipment must be examined by the Equipment Control to ensure that it conforms to SFC Rules. The shooter is responsible for presenting all rifles and equipment, including any questionable equipment and/or accessories for official inspection and approval before use.

4.4.8 The Organizing Committee must inform team officials and shooters, in sufficient time prior to the competition, where and when they may have their equipment inspected.

4.4.9 The Equipment Control section must register the name of the shooter, the make (manufacturer), serial number, and caliber of each rifle approved.

4.4.10 All approved equipment must be marked with a seal or sticker and the approval must also be recorded on the control card.

4.4.11 After equipment has been approved, it must not be altered at any time prior to or during the competition in any way that would conflict with the SFC Rules.

4.4.12 If there are any doubts regarding an alteration, the equipment must be returned to Equipment Control for re-inspection and approval.

4.4.10 **Non-Conforming Equipment**

The penalty is one point per shot fired with non-conforming equipment.

4.4.11 **Exception**

A competition organizer may make an exception to the above.

5.0 COMPETITION OFFICIALS

For reasons of economy and practicality, it is not mandatory to have the full slate of officials .

The competition organizer must, however, provide the following officials for SFC registered competitions:

5.1 Chief range officer,

- 5.2 One range officer for every 12 firing points, (Chief Range Officer may serve in this capacity.)
- 5.3 Target control (statistical) officer,
- 5.4 Jury consisting of at least three persons. (Chief Range Officer, Target control Officer may serve on the jury). Competitors may **not** serve on the Jury.

6.0 **SHOOTING EVENTS. PROCEDURES AND COMPETITION RULES**

6.1 Number of shots per scoring diagram in SFC Sporting Rifle registered competitions:

20yd 50m

Sporting Rifle----- 1 5

More than the recommended number of shots may be fired in the 20 yd events, if the competition organizer so specifies, but this practice is discouraged by the SFC Rifle Section Committee.

6.2 **SIGHTING TARGETS**

For small-bore rifle competition, the SFC has targets available with several diagrams on the target card, with one or two diagrams designated for sighting shots. In events where these targets are used, the required sighting targets (diagrams) are provided in this manner.

6.4 **SPORTING RIFLE**

6.4.1.1 Shooting program:

- 60 shots prone position, fired in 3 series of 20 shots, or
- 60 shots in three positions, fired in 3 series of 20 shots prone, 20 shots standing, 20 shots kneeling.

6.4.1.2 As the match is fired in 20 shot series, the time allotted for each series, whether prone, standing, or kneeling, including sighting shots, is 30 minutes.

6.4.1.3 Target: 20 yd. SFC #135: 50 metres SFC # 153

6.4.1.4 The allowed time per 20 shot target which includes sighting shots is 30 minutes and is the same for any position. The competition organizer may reduce the time limits for shooting if time and space constraints require. Any change should be published in advance in the competition program. Preparation time shall be 3 minutes prior to the start command. Targets must be visible during the preparation time. Change over time shall be 10 minutes commencing once the target posting has been completed.

6.5 **COMPETITION RULES**

6.5.1 Sighting shots, unlimited in number, may be fired at any time during the event, if multiple—diagram targets are being used. All sighting shots must be fired within the time limit for the series.

6.5.2 **MISPLACED SIGHTING SHOTS**

When the official target provides a sighting diagram and the FIRST sighting shot hits outside of the sighting area or box, the competitor must inform the Range Officer at once as to the location of such a shot. The Range Officer will then convey to the Target Control Officer the value and location of the shot hole. No such claim will be allowed after the competitor has fired more than one shot on a target card. Any additional misplaced sighting shots shall be scored as misses or as the appropriate value if they happen to hit a scoring diagram.

If more than one target card is required for a shooting series in an event, this article shall apply to only the first target card of each series.

6.5.3 **BACKING TARGETS**

In SFC registered competitions, backers must be provided by the competition organizer for the 50 meter, and preferably also the 20 yard events in order to facilitate accurate scoring, identification of crossfired shots, and identification of excessive shots.

6.5.4 **TOO MANY SHOTS IN AN EVENT**

If a shooter fires more shots in the event or position than are provided for in the program, the extra shot(s) must be annulled on the last competition target(s). If the shot(s) cannot be identified, the highest value shot(s) must be annulled. The shooter must also be penalized by a deduction of one (1) point for each excessive shot fired deducted from the lowest value shot(s) in the first series.

6.5.5 **TOO MANY SHOTS PER TARGET EVENTS**

The term “target” in this context shall be also taken to also mean “scoring diagram”.

6.5.5.1 If a shooter fires more shots at one of his match targets than are provided for in the program of the event, he must not be penalized for the first two (2) such occurrences. For the third and all succeeding such misplaced shots he must be penalized by a deduction of one (1) points for each one in the event from the series in which the occurrence happens. He must also fire a correspondingly fewer number of shots at a succeeding target. This should be the next target..

6.5.5.2 All three position events are considered as one (1) event.

6.5.5.3 The scoring process in this situation requires the transfer of the value of the excessive shot(s) to targets with less than the originally programmed number of shots, thus bringing each target to the full number of shots designated in the program and the Rules.

6.5.5.4 If the actual shot(s) to be transferred cannot be established clearly, the shot(s) with the lowest value must be transferred forward to the next target(s) or the shot(s) with the highest value must be transferred back to the previous target(s) so that the shooter will gain no advantage in a “count back” situation.

6.6.0 **CROSSFIRES**

6.6.1 If a shooter **fires a sighting shot on the competition target** of another shooter, he must be penalized by deduction of two (2) points from his own score.

- 6.6.1.1 If a shooter receives a **confirmed crossfire** shot and it is impossible to determine which shot is his, he must be credited with the value of the highest undetermined shot.
- 6.6.1.2 If there are more hits on a shooter's competition target than are provided for in the program, and if it is **impossible to confirm** that another shooter(s) fired the shot(s), the hit(s) of the highest value must be nullified.
- 6.6.1.3 If a shooter wishes to **disclaim** a shot on his target, he must report this immediately to the Range Officer.
- 6.6.1.4 If the Range Officer confirms that the shooter did not fire the disputed shot(s), he must make the necessary entry on the Range Incident Report and the shot must be annulled.
- 6.6.1.5 If the Range Officer cannot confirm beyond all reasonable doubt that the shooter did not fire the disputed shot(s), the shot(s) must be credited to the shooter and must be so recorded.
- 6.6.1.6 The following must be considered as reasons to justify the annulment of a shot:
- 6.6.1.7 If another range official **confirms** by his observation of the shooter and the target that the shooter did not fire the shot.
- 6.6.1.8 If a missed shot is **reported by another shooter** or other range official at approximately the same time and from within the neighboring two or three firing points.
- 6.6.1.9 **Deductions from the score** must always be made in the series in which the violation occurred. If general deductions are involved they must be made from the lowest value competition shot(s) in the first series.
- 6.6.1.10 **CROSSFIRES. SPORTING RIFLE EVENTS**
- 6.6.1.10.1 If a competitor fires on another competitor's target, but the total number of shots does not exceed the required number, he will be given the value of the shots on both targets minus a penalty of one point for each shot on the other competitor's target. Penalty points shall be deducted from the shot or shots fired on the other competitor's target and this net value (actual value minus the penalty) shall be transferred to the diagram on which there are fewer than the required number of shots, and the shot or shots shall be scored as that net value. A 10 or a 10-X so penalized becomes a 9.

7.0 POSITIONS

The following descriptions are for Right handed shooters, reverse where necessary for Left handed shooters.

7.1 PRONE

- The shooter may lie on the bare surface of the firing point or on the shooting mat
- He may also use the mat by resting his elbows on it
- The body is extended on the firing point with the head toward the target
- The rifle must be supported by both hands and one shoulder only
- While aiming the cheek may be placed against the rifle stock
- The rifle must not touch, or rest against, any other point or object

- Both forearms and sleeves of the shooting jacket forward of the elbow must be visibly raised from the surface of the firing point
- The arm extending forward holding the forend of the rifle must have at least a 30 degree upward angle from the horizontal plane.

7.2

STANDING

- The shooter must stand free with both feet on the firing point surface or on the ground cloth without any other support
- The rifle must be held with both hands and the shoulder (upper right chest) or the upper arm near the shoulder, the cheek and the part of the chest next to the right shoulder
- However, the rifle must not be supported by the jacket or chest beyond the area of the right shoulder and right chest
- The left upper arm and elbow may be supported on the chest or on the hip
- The rifle must not touch or rest against any other point or object.

7.3

KNEELING

- The shooter may touch the firing point surface with the top of the right foot, the right knee and the left foot.
- The rifle must be held with both hands and the right shoulder.
- The left elbow must be supported on the left knee.
- The elbow may not be more than 100 mm from the kneecap.
- The rifle must not touch or rest against any other point or object.
- If the kneeling roll is placed under the instep of the right foot, the foot must not be turned at an angle of more than 45 degrees.
- If the kneeling roll is not used, the foot may be placed at any angle. This may include placing the side of the foot and the lower leg in contact with the surface of the firing point.
- No portion of the upper leg or buttocks may touch the surface at any point.
- If the shooter uses the shooting mat he may kneel completely on the shooting mat or may have one or two of three points of contact (toe, knee, foot) on the mat.
- Only the trousers and underclothing may be worn between the shooter's seat and heel. The jacket or other articles must not be placed between these two points or under the right knee.

8.0

TIE BREAKING

8.1

INDIVIDUAL TIES

For the purpose of tie—breaking, target cards and scoring diagrams will be considered to have been fired in numerical sequence, regardless of the order in which they were actually fired. It is the responsibility of the competitor to fire the target cards in the proper sequence.

8.1.1

In the event of tied scores for the first ten places, the order of ranking must be determined by:

8.1.1.1

The highest number of “x”. (where applicable),

- 8.1.1.2 The highest score fired in the standing position,
- 8.1.1.3 The highest score fired in the kneeling position,
- 8.1.1.4 The highest score in the last ten shot series, working backward by ten shot series until the tie is broken, (Posting scores by ten shot series facilitates the application of this article.)
- 8.1.1.5 If any ties remain, the competitors must be given the same ranking.

8.2 TEAM TIES

For the purpose of tie-breaking, target cards and scoring diagrams will be considered to have been fired in numerical sequence, regardless of the order in which they were actually fired. It is the responsibility of the competitor to fire the target cards in the proper sequence.

- 8.2.1 In the event of tied scores for the first three places, the order of ranking must be determined by:
 - 8.2.1.1 The highest number of “x”. (where applicable),
 - 8.2.1.2 The highest total score fired in the standing position,
 - 8.2.1.3 The highest total score fired in the kneeling position,
 - 8.2.1.4 The highest total score in the last ten shot series, fired by each shooter, working backward by ten shot series until the tie is broken, (Posting scores by ten shot series facilitates the application of this article.)
 - 8.2.1.5 If any ties remain, the teams must be given the same ranking.

8.3.1 INDIVIDUAL AGGREGATE TIES

For the purpose of tie-breaking, target cards and scoring diagrams will be considered to have been fired in numerical sequence, regardless of the order in which they were actually fired. It is the responsibility of the competitor to fire the target cards in the proper sequence.

- 8.3.1 In the event of tied scores for the first five places, the order of ranking must be determined by:
 - 8.3.1.1 The highest number of “x”. (where applicable),
 - 8.3.1.2 The highest score fired in the Three— position events,
 - 8.3.1.3 The highest score fired in the air rifle events,
 - 8.3.1.4 The highest combined score in the last ten shot series of each event in the aggregate, working backward by ten shot series until the tie is broken, (Posting scores by ten shot series facilitates the application of this article.)
 - 8.3.1.5 If any ties remain, the competitors must be given the same ranking.

9.0 CLASSIFIED COMPETITORS

Such persons are individuals in possession of a valid and current SFC membership classification card. Official classification is issued to current Full members of the

SFC, and to current Basic members of the SFC who have paid the National Classification fee.

9.1 **OFFICIAL CLASSIFICATION**

Will become effective on receipt of a membership classification card and will remain in effect until a superseding classification card is received, or until the holder's SFC membership expires.

9.2 **DISCIPLINES USED CLASSIFICATION**

Only scores fired in competitions registered with the SFC, and on SFC approved targets, in the following disciplines will be used for classification.

- Sporting rifle Prone
- Sporting rifle Three-position

9.3 **ARBITRARY CLASSIFICATION**

Unclassified competitors. An unclassified competitor is one who has not yet been Issued a classification in one or more competition disciplines. Normally an unclassified shooter will compete in the Expert class until the minimum of shots to establish class are fired and after the completion of that match.

In extraordinary circumstances an Unclassified competitor may be assigned to a class, or a Classified competitor may be assigned to a higher class, if published results bulletins from competitions held immediately prior show that classification or re—classification is warranted even though the competitor has not received a new classification from the SFC office.

A competition organizer who exercises this privilege must adhere to the current classification averages. Any classification assigned by the competition organizer shall be valid for that competition only.

9.4 **UNCLASSIFIED COMPETITORS**

After completion, scores fired by unclassified competitors shall be placed in the appropriate class by the competition organizer. This placement shall be in accordance with the current classification averages established by the SFC Rifle Section Committee. Any classification assigned by the competition organizer shall be valid for that competition only.

9.5 **COMPETING IN A HIGHER CLASS**

A competitor or team may elect to compete in a higher class than the one in which classified. Such a competitor or team must continue to fire in the higher class in all events of that particular discipline throughout that competition and not revert to earned class for any event of that particular discipline within that competition.

9.6 **INDIVIDUAL CLASSIFICATION AVERAGES**

In events and aggregates fired in the prone position only, a competitor will be classified according to the Prone averages determined by the SFC Rifle Section Committee.

In events and aggregates fired in three positions, (prone, standing, kneeling) a competitor will be classified according to the Three-position averages established by the SFC Rifle Section Committee.

For aggregates involving Prone and 3— Position events, the Three-position classification will determine the relevant classification for the event.

The following classification scores are based on a 10 shot target score.

Sporting Rifle Classification

Event	Master	Expert	Sharpshooter	Marksman
Prone	99.16 & over	97.50 - 99.15	94.83 – 97.49	Below 94.83
3 – Position	96.66 & over	94.16 - 96.65	90.66 – 94.15	Below 90.66

Number of Targets to Qualify for a Class based on a 10 shot string = 12

Number of Targets to Qualify for RE-Classification based on a 10 shot string = 18

9.7 TEAM CLASSIFICATION

Teams may be classified by computing the team average, based on the classification of each firing member of the team, using the keys in Table 1. Any fractional figure in the team average reaching or exceeding one half, places the team in the next higher class.

TABLE 1

<u>CLASS</u>	<u>KEY</u>
Master	4
Expert (& unclassified)	3
Sharpshooter	2
Marksman	1

Example — A team composed of 1 Master (4), 2 Experts (2x3=6) and 1 Marksman (1) as firing members would have a total of 11 divided by 4 (number of team members) for an average of 2.75, thereby placing the team in the Expert class. The “team average” establishes the classification of the team as a unit, but does not in any way affect the classification of the individual.

9.8 ESTABLISHING CLASSIFICATION

New competitors and former competitors, whose classifications, if other than Master, have become obsolete, will be classified when they have recorded a minimum of 120 shots Prone or 120 shots Three-position. A classification will be issued on the basis of the average of the scores fired.

9.9 **OBSOLETE CLASSIFICATION**

Whenever a classified competitor fails to fire registered scores during three successive calendar years, his classification will be declared obsolete, except for a Master class competitor who will remain as a Master.

9.10 **RE—CLASSIFICATION UPWARDS**

Classification will be reviewed as each competitor records a minimum of 240 shots Prone or 240 shots three-position. When the average of the most recently fired 240 shots places a competitor in a higher class, a new classification card will be issued accordingly.

9.11 **RE-CLASSIFICATION DOWNWARDS**

A competitor who believes his classification to be too high may submit a written request to the SFC Rifle Section Committee that his classification be lowered. Such a competitor must remain in the class concerned until at least 480 shots have been recorded after his assignment to that class, before requesting a classification review. A competitor will be entitled to only one lifetime re classification downwards in each discipline in which he is classified.

9.12 **PENALTY**

Any competitor who knowingly uses an obsolete classification when entering a competition, or who willfully enters in a lower class than that to which entitled, will be disqualified from the competition.

If such an offence comes to light only after the completion of the competition, the SFC Rifle Section Committee will suspend the competitor's competition privileges for a period of six months.

9.13 **APPEALS**

Any competitor who has reason to believe that he or any other competitor is improperly classified may file an appeal in writing with the SFC Rifle Section Committee stating all the applicable facts.

A competitor may appeal against any decision of the Match Committee (or Jury) that he feels been unjust injustice. Such an appeal must be filed in writing with the SFC Rifle Section Committee within 48 hours of the decision appealed.

10.0 AGE CATEGORIES

10.1 **VETERAN**

A veteran is a competitor who has reached his 55th birthday as of the first day of the competition. Veteran competitors are -- eligible for Open or classification awards if they are not using the optical sighting aids permitted to Veteran competitors. Veteran competitors who are using optical sighting aids are eligible for Veteran category awards only.

- 10.2 **JUNIOR** : are shooters who will be under the age of 16 on Dec 31st in the year of competition.
- 10.3 **INTERMEDIATE JUNIOR:** are shooters who will be under the age of 21 on Dec 31st in the year of competition.
- 10.4 The competition organizer may offer competition in any or all of the above.

Hunting Rifle Rules

The intent of this event is not to simulate hunting but to provide a controlled and safe bullseye competition event that uses hunting type rifles with a minimum amount of equipment.

Rifle

A rimfire .22 calibre, (not magnum), rifle of a hunting type design single shot or repeater. It must not have been originally designed to be a target rifle. *If the rifle was built with a rail or adjustable buttplate, it will be deemed to be a target rifle.* If the rifle is outfitted with a magazine, all rounds must be loaded through the magazine. Stock may have a replacement buttplate and the length may be changed. Cheekpiece may be built up but by means that are not easily adjustable.

Sights

Sights are recommended. Your choice.

Safety

All Range Officer commands will be obeyed.

The safe condition of a rifle will be with action open and chamber empty.

If used, magazines must be removed from the firearm.

Those firearms requiring it must use a chamber flag.

Triggers must operate in a safe manner.

Hearing protection is recommended.

Eye protection is recommended, shooting glasses with shatterproof lenses are encouraged.

Equipment

No ISSF type of shooting jacket, pants, gloves or buttplates.

Unduly tight or padded clothing will not be allowed.

This is not intended to prevent the use of a spotting scope, timepiece, shooting mat, kneeling roll, shooting sweater, trap vest, elbow pads or a glove for grip. The glove must not be excessively padded.

Current undergarments as per sporting rifle would also be allowed.

Courses of fire, positions, time limits, targets, scoring, range commands as per Sporting Rifle.

Match organizers may modify classifications to reflect the number and type of competitors.

Now the **EDITORIAL**:

Required is a discipline that requires the least amount of equipment but that allows the greatest diversity. That is why there is no rifle weight limit. There are no depths of fore ends or drop at butt.

The weight is not considered an issue as there is no support from clothing and most of these rifles are clustered around 7 lbs, or with a decent scope, 8 lbs. If someone wants to try and hold a 12 lb rifle for 60 shots, I suspect the scores will suffer.

A rifle such as an Anschutz 1416 or Remington 541, the Enfield trainer, Ruger 10/22, an Anschutz 180 would be allowed. The Anschutz 190 would not. Any rifle with a rail, even if removed, would not be allowed.

After much discussion, I think that we should allow cheekpieces to be built up as the rifles are not built for prone shooting, This may help some shooters with their neck problems.

There is no trigger weight for the same reasons. If there is an occurrence of an unsafe trigger, I expect the RO or Safety Officer to deal appropriately.

Equipment. Here the biggest problem is tight clothing. If in doubt the RO can check the looseness. In silhouette they use a gauge made from 4 inch thin wall PVC pipe, but I'd sooner leave it to good judgment for now. The glove allowed for grip is meant to be along the lines of a golf, weightlifting, bicycling or similar glove.

Who cares if someone is using sport specific shooting glasses when anyone can use scopes?

Course of fire. Hopefully it will eventually expand to 3-P. No need to burden match organizers with extra targets or methods of scoring when everyone is familiar with the current bullseye system and targets. Hunting Rifle & Sporting Rifle are shot on the same targets for the distance.

<u>INDEX</u>	Page
Categories (age) -----	21 - 22
Cease fire -----	3
Classification system -----	19 - 21
Crossfires -----	16 -17
Definitions page -----	2
Equipment control -----	13 - 14
Eye protection -----	4
Handling of rifle -----	4
Hearing protection -----	4
Hunting Rifle -----	23 - 24
Number of shots per diagram -----	14
Officials -----	14
Penalty and Appeal -----	21
Positions -----	17
Range standards -----	4, 6 - 7
Safety -----	3
Scoring Procedures-----	8 – 9
Shooting apparel -----	11 - 14
Sights-----	9 - 10
Sporting rifle -----	5 - 6, 10
Targets -----	4 - 5
Team -----	21
Ties -----	19 - 20
Time for events -----	15
Weighing the trigger -----	11